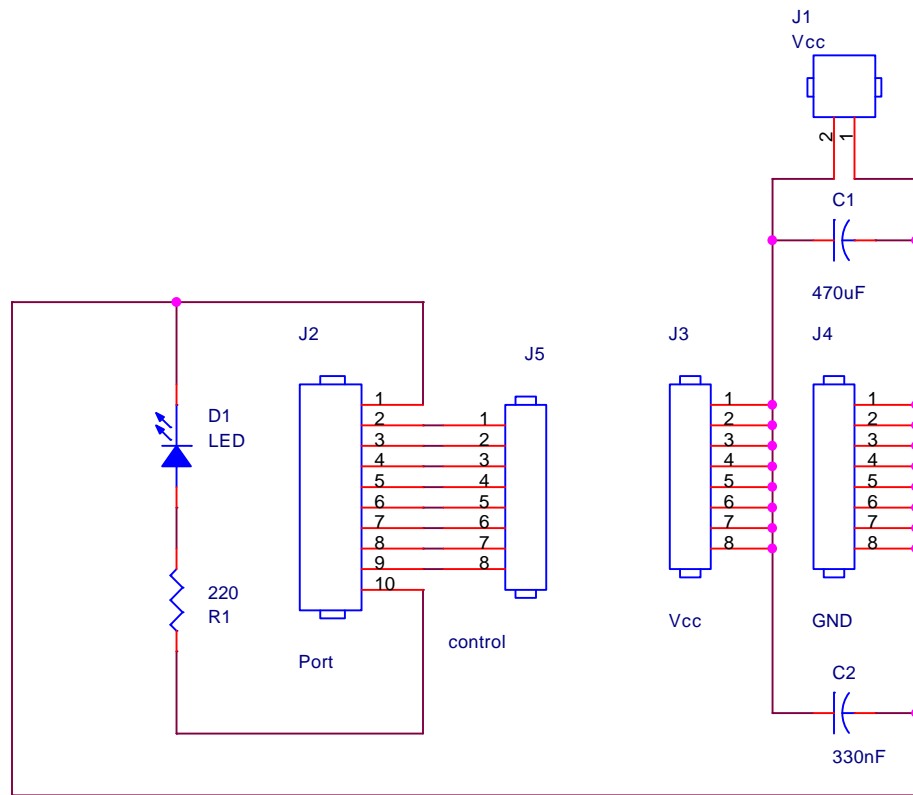


Servos

Cantidad	Referencia	Valor
1	1 C1	470uF 25V
2	1 C2	MKT 330nF 63V
3	1 D1	LED Vcc
4	2 J1	Pines Vcc
5	1 J2	Conector 2x5 cable plano
6	3 J4, J3, J5	Array 8 pines poste
7	1 R1	220R / 470R 0.25W (LED Vcc)



Title		
Placa para controlar hasta 8 servos		
Size	Document Number	Rev
A	Servos	1
Date:	Saturday, April 07, 2007	Sheet 1 of 1

