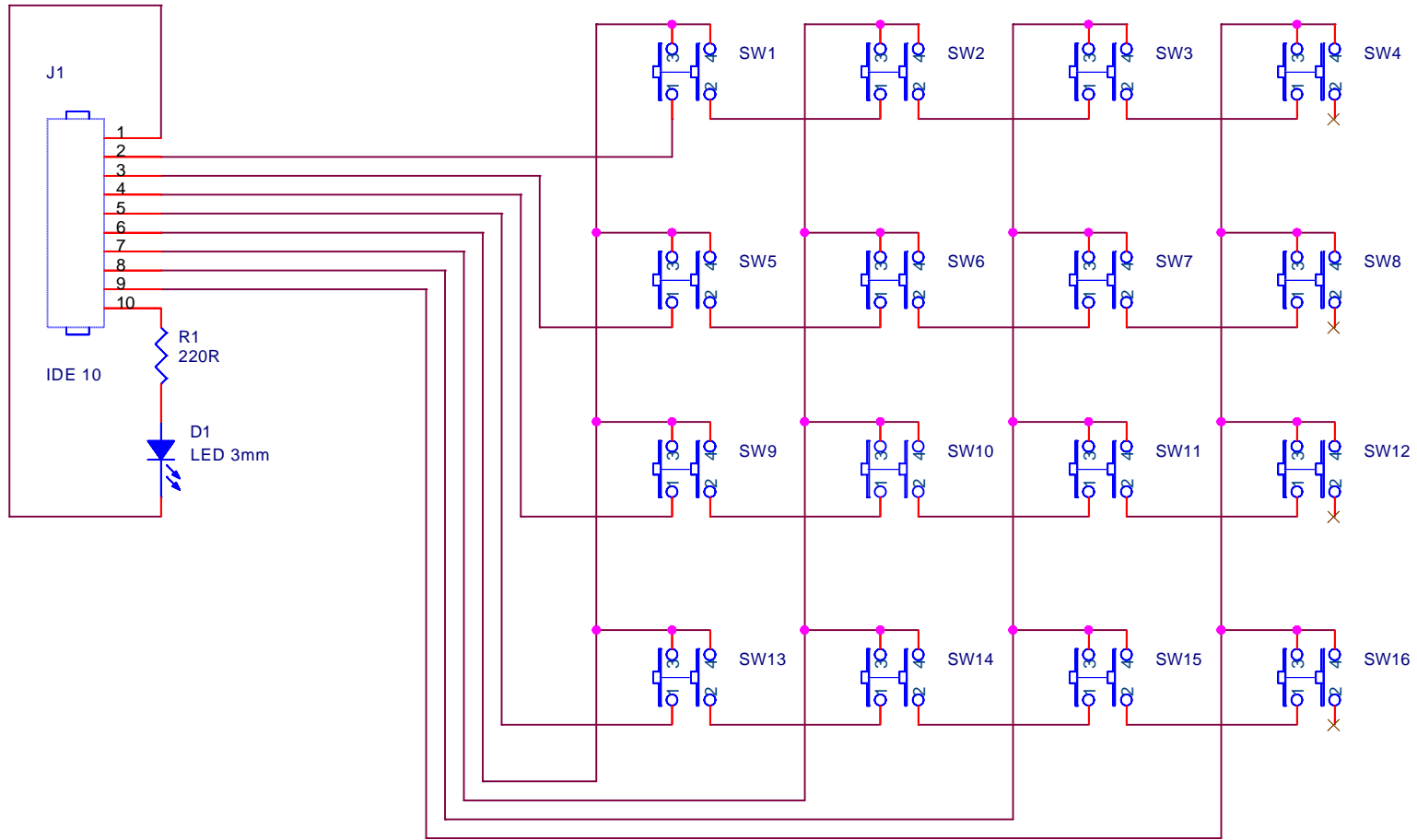


Matricial

Cantidad	Referencia	Valor
1	1 D1	LED 3mm Verde Vcc
2	1 J1	Conector 2x5 cable plano
3	1 R1	220R / 470R 0.25W (LED Vcc)
4	SW1,SW2,SW3,SW4,SW5,SW6, SW7,SW8,SW9,SW10,SW11, 16 SW12,SW13,SW14,SW15,SW16	SW PUSHBUTTON-DPST



Title		
Teclado matricial 4x4		
Size	Document Number	Rev
A	Teclado	1
Date:	Saturday, September 16, 2006	Sheet 1 of 1

